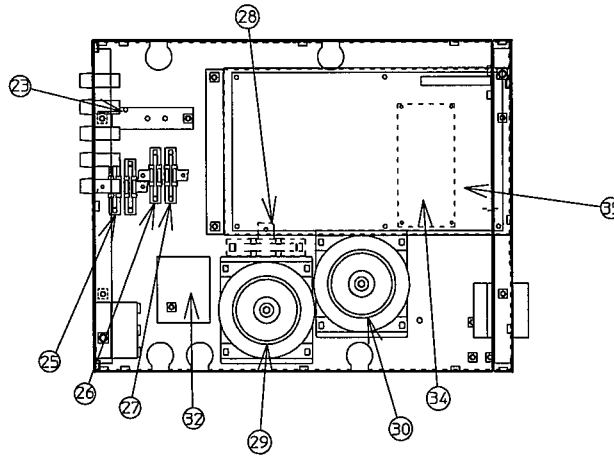
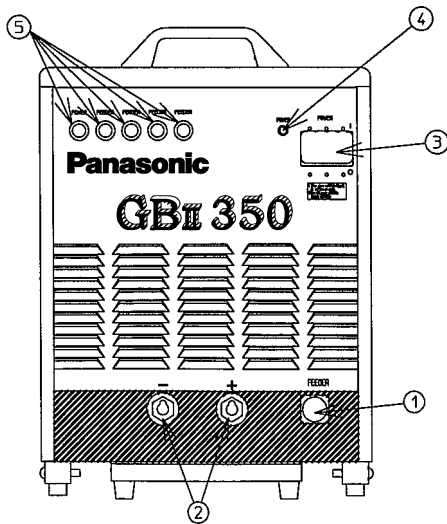


# 8. Parts list

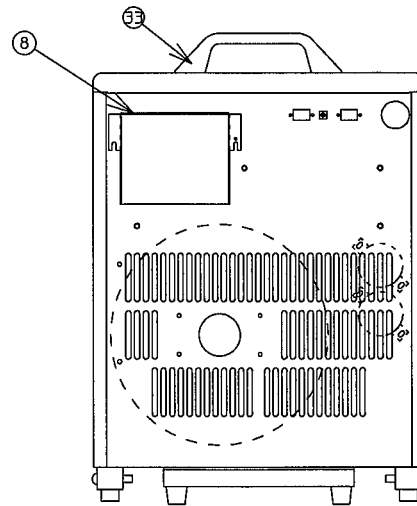
Top (Inside on chassis)



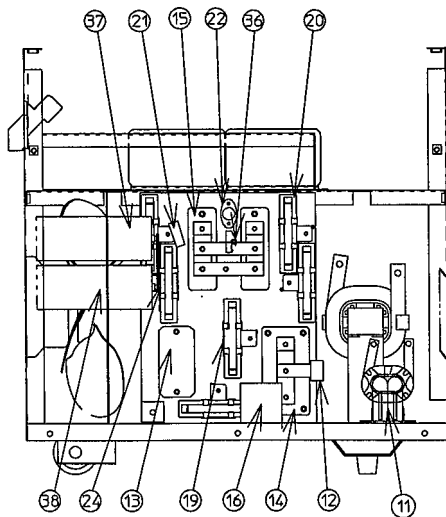
Front



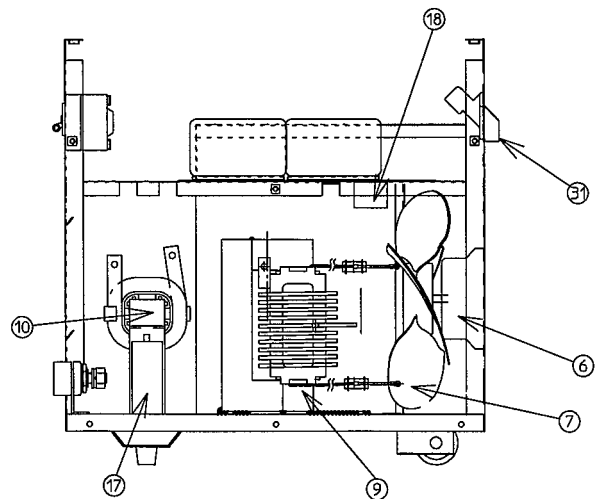
Rear



Left



Right



No.	Symbol	Part name	Part number	Q'ty	Remark	
						Internal code
1	CO1	Receptacle	YMAD41	1		JMR2516F
2		Output terminal	YMAD12	1 ea.		CX0558 (or D1XBE50)
3	NFB	Power switch	YZAXESB001	1		1DA3-60-415A
4	LED	LED	DB40BG	1		DB40BG
5	FU1 – FU5	Fuse holder	FHS07F	1 ea.		FHS07F
6	FAN	Fan motor	SF200-25-4D	1		SF200-25-4D
7		Blade	MUH250FAN	1		MUH250FAN
8		Terminal cover	DEK00095	1		DEK00095
9	MTr	Main transformer	DTU00216	1		DTU00216
10	L2	DCL	DLU00135	1		DLU00135
11	L1	FCH	DLU00136	1		DLU00136
12	CT	CT	YCA6	1		TN300A4VB15A
13	D1	Diode	YCA16	1	Primary diode	DF75LB160
14	D2	Diode	RM300CA9W	1	Secondary diode	RM300CA9W
15	Q1, Q2	IGBT	YZAXEEA005	1 ea.		CM100DY24H
16	C17	Capacitor	YCA12	1	Electromagnetic polarization	SS351206PPQ1
17	C12S	Capacitor	ECEG1KS472P	1		ECEG1KS472P
18	C3	Capacitor	DS441205QPB	1		DS441205QP-B
19	R7, R8	Resistance	SFW40A5R0AP	1 ea.		SFW40A5R0AP
20	R1 – R4	Resistance	MFS40A100KN	1 ea.		MFS40A100KN
21	C4 – C7	Capacitor ass'y	DEX00081	1 ea.		DEX00081
22	THP2	Thermal switch	YZAXESL003	1		5003F35CM1UI
23	SCR	Thyristor	PK25F40	1		PK25F40
24	R5, R10, C13, C14	Capacitor ass'y	CEX00101	1		CEX00101
25	R11S, R12S	Resistance	SFW20A391	1 ea.	20 W, 390 ohm	SFW20A391
26	R13S	Resistance	SFW20A4R7	1	20 W, 4.7 ohm	SFW20A4R7
27	R14S	Resistance	SFW20A300	1	20 W, 30 ohm	SFW20A300
28	R9	Resistance	SFW40A101J	1	40 W, 100 ohm	SFW40A101J
29	Tr1	Control transformer	UTU21600	1		UTU21600
30	Tr2	Control transformer	UTU21610	1		UTU21610
31		Terminal block	DET00019	1		DET00019
32	FU6 – FU8	Fuse holder	YABD30	1	Fuse 6-Fuse 8: FLQ3 (3A)	BM6033PQ
33		Handle	YMW4	2		AP829-2
34	PS1	Switching power	YCAD46	1		LDC30F2-1
35		P.C. Board	ZUEP1402	1	CPU and I/F board	ZUEP1402
36	THP1	Thermal switch	YPAD44	1		OHD3-80B02
37	C1	Capacitor	YZAXXEEF001	1	1200 $\mu$ F	RWE45LGSN122
38	C2	Capacitor	YZAXXEEF001	1	1200 $\mu$ F	RWE45LGSN122